

RCI 200 Series Actuators



The Remote Control RCI 200 Series Pneumatic Actuator features a modern scotch yoke mechanism for high starting and ending torques in a very compact package. The RCI Series have adjustable travel stops in both directions. Available in both double acting and spring return in 8 sizes with torques to 38,720 in. lbs., it offers great flexibility. The spring return actuator features a spring module with the spring(s) safely contained and epoxy powder coated for maximum corrosion resistance. Our pistons are guided in two places with reinforced Teflon™ bearings which insure positive alignment and long seal life. All RCI 200 Series Actuators carry a 3-year warranty.

TECHNICAL DATA

Body
Extruded aluminum, anodized finish
Spring Housings, End Caps
Cast aluminum, anodized finish

Pistons
Anodized aluminum

Drive Shaft
Stainless steel thru RCI 260 size, plated steel in sizes RCI 270 , RCI 280

Seals
Buna N

Fasteners
Stainless steel thru size RCI 260 Plated
Steel sizes 270 + 280

Pressure Rating
150 PSI continuous

Temperature
Range -20° F to +170° F

Optional Exterior Finishes
Epoxy or tufram

Optional Constructions
Low temperature or high temperature seals, low pressure hydraulic service, water hydraulic service, fast opening/ closing speed

Operating Medium
Compressed air or inert gas

Mounting Dimensions
ISO 5211 standard

AIR CONSUMPTION – Displacement Stroke

SPRING RETURN

SIZE	CUBIC INCHES
RCI 210-SR	10
RCI 220-SR	11.5
RCI 230-SR	36
RCI 240-SR	45
RCIO 250-SR	115
RCIO 260-SR	142
RCIO 270-SR	478
RCIO 280-SR	593

DOUBLE ACTING

SIZE	CCW CUBIC INCHES	CW CUBIC INCHES
RCI 210-DA	5.5	10
RCI 220-DA	10	11.5
RCI 230-DA	20	36
RCI 240-DA	39	45
RCIO 250-DA	62	115
RCIO 260-DA	122	142
RCIO 270-DA	292	478
RCIO 280-DA	584	593

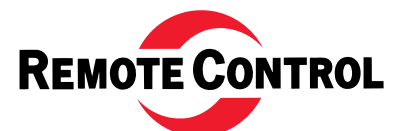
OPERATION TIME – At 80 PSI Operating Pressure

SPRING RETURN

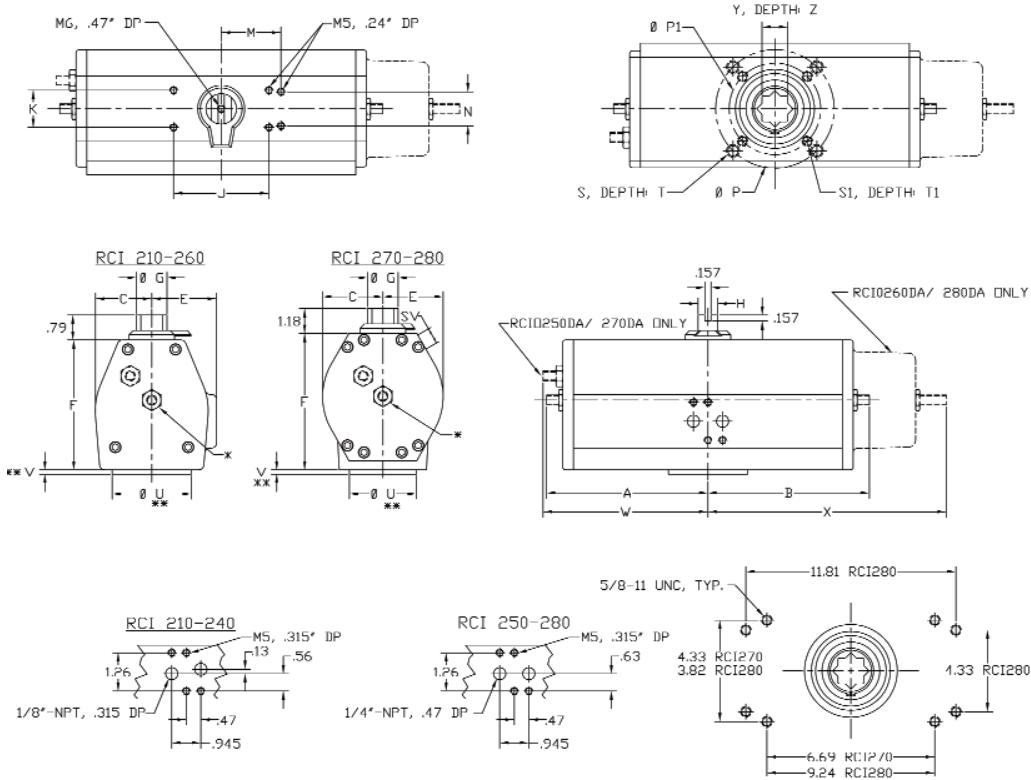
SIZE	SECONDS
RCI 210-SR	0.5
RCI 220-SR	0.3
RCI 230-SR	0.25
RCI 240-SR	1.0
RCIO 250-SR	2.5
RCIO 260-SR	2.5
RCIO 270-SR	6
RCIO 280-SR	5

DOUBLE ACTING

SIZE	CCW SECONDS	CW SECONDS
RCI 210-DA	0.25	0.5
RCI 220-DA	0.25	0.3
RCI 230-DA	1.0	0.25
RCI 240-DA	1.0	1.0
RCIO 250-DA	1.5	2.5
RCIO 260-DA	2	2.5
RCIO 270-DA	4	6
RCIO 280-DA	5	5



RCI 200DA DIMENSIONAL DATA



NOTES

SV – MOUNTING HOLES FOR SOLENOID VALVE FOR RCI 270-280

ALL DIMENSIONS ARE IN INCHES

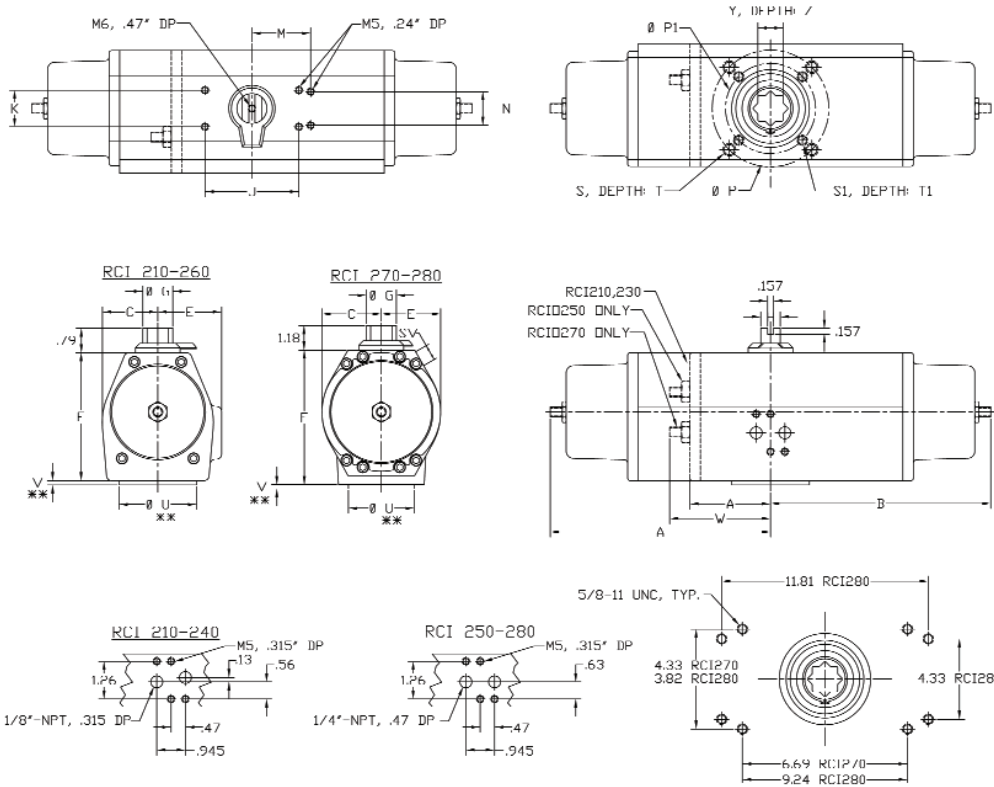
* NOT PRESENT ON RCI250DA/270DA ACTUATORS

** REMOVABLE SNAP-ON CENTERING RING, FOR USE ON ISO VALVES

DIMENSIONS (Inches)

MODEL	A	B	C	E	F	G	H	J	K	M	N	P	P1
RCI 210-DA	1.77	3.85	1.26	1.61	2.95	.63	.393	1.39	1.39	1.574	1.18	1.97	---
RCI 220-DA	3.85	3.85	1.26	1.61	2.95	.63	.393	3.15	1.18	---	---	1.97	---
RCI 230-DA	2.56	5.30	1.93	2.17	4.25	.98	.629	3.15	1.18	---	---	4.02	2.76
RCI 240-DA	5.30	5.30	1.93	2.17	4.25	.98	.629	3.15	1.18	---	---	4.02	2.76
RCIO 250-DA	3.54	7.48	2.71	2.95	6.10	1.377	.944	3.15	1.15	---	---	4.92	4.02
RCIO 260-DA	7.48	7.48	2.71	2.95	6.10	1.377	.944	3.15	1.18	---	---	4.92	4.02
RCIO 270-DA	5.70	11.60	4.33	4.33	9.76	2.36	1.574	5.12	1.18	---	---	5.51	---
RCIO 280-DA	11.80	11.60	4.33	4.33	9.76	2.36	1.574	5.12	1.18	---	---	6.496	4.92
MODEL	S	S1	T	T1	U	V	W	X	Y	Z	WT (lbs)	ISO 5211	
RCI 210-DA	1/4-20UNC	---	.43	---	1.378	.08	---	---	.553 .551	.74	3.1	F05	
RCI 220-DA	1/4-20UNC	---	.43	---	1.378	.08	---	---	.553 .551	.74	4.00	F05	
RCI 230-DA	3/8-16UNC	5/16-18 UNC	.67	.55	2.17	.118	---	---	.672 .669	1.18	8.00	F07/F10	
RCI 240-DA	3/8-16UNC	5/16-18 UNC	.67	.55	2.755	.118	---	---	.869 .866	1.18	10.60	F07/F10	
RCIO 250-DA	1/2-13UNC	3/8-16 UNC	.83	.67	2.75	.118	4.53	---	.869 .866	1.45	20.40	F10/F12	
RCIO 260-DA	1/2-13UNC	3/8-16 UNC	.83	.67	3.346	.118	---	11.81	1.066 1.063	1.45	28.00	F10/F12	
RCIO 270-DA	5/8-11UNC	---	.98	---	3.94	.16	7.09	---	1.420 1.417	2.52	69.00	F14	
RCIO 280-DA	3/4-10UNC	1/2-13 UNC	1.26	.98	5.11	.196	---	20.87	1.815 1.812	2.52	107.00	F16/F12	

RCI 200SR DIMENSIONAL DATA



NOTES

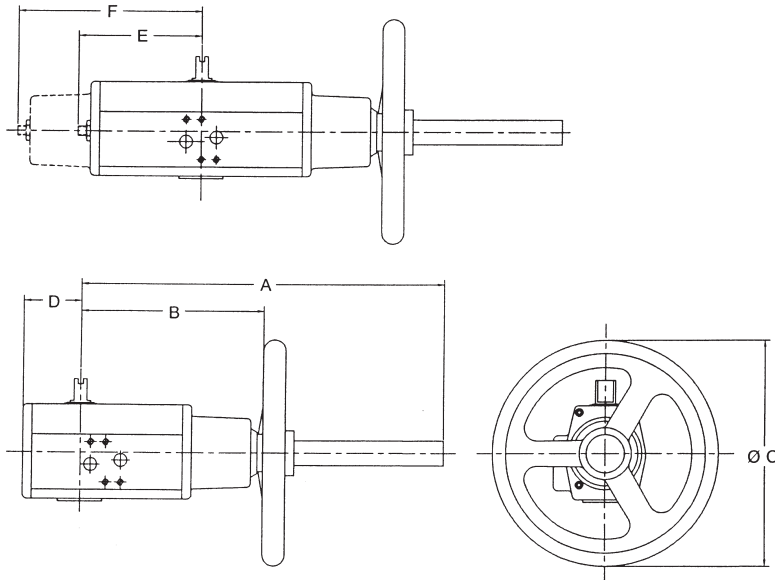
SV – MOUNTING HOLES FOR SOLENOID VALVE FOR RCI 270-280

** REMOVABLE SNAP-ON CENTERING RING, FOR USE ON ISO VALVES

DIMENSIONS (Inches)

MODEL	A	B	C	E	F	G	H	J	K	M	N	P	P1
RCI 210-SR	1.77	5.70	1.26	1.61	2.95	.63	.393	1.39	1.39	1.574	1.18	1.97	---
RCI 220-SR	5.91	5.91	1.26	1.61	2.95	.63	.393	3.15	1.18	---	---	1.97	---
RCI 230-SR	2.56	7.87	1.93	2.16	4.25	.98	.629	3.15	1.18	---	---	4.02	2.76
RCI 240-SR	7.70	7.70	1.93	2.16	4.25	.98	.629	3.15	1.18	---	---	4.02	2.76
RCIO 250-SR	3.54	11.22	2.72	2.95	6.10	1.377	.944	3.15	1.18	---	---	4.92	4.02
RCIO 260-SR	11.22	11.81	2.72	2.95	6.10	1.377	.944	3.15	1.18	---	---	4.92	4.02
RCIO 270-SR	5.70	20.08	4.33	4.33	9.76	2.36	1.574	5.12	1.18	---	---	5.511	---
RCIO 280-SR	20.08	20.87	4.33	4.33	9.76	2.36	1.574	5.12	1.18	---	---	6.496	4.92
MODEL	S	S1	T	T1	U	V	W	Y	Z	WT (lbs)	ISO 5211		
RCI 210-SR	1/4-20UNC	---	.43	---	1.378	.08	---	.553 .551	.74	4.0	F05		
RCI 220-SR	1/4-20UNC	---	.43	---	1.378	.08	---	.553 .551	.74	5.85	F05		
RCI 230-SR	3/8-16UNC	5/16-18UNC	.67	.55	2.17	.118	---	.672 .669	1.18	10.40	F07/F10		
RCI 240-SR	3/8-16UNC	5/16-18UNC	.67	.55	2.755	.118	---	.869 .866	1.18	15.50	F07/F10		
RCIO 250-SR	1/2-13UNC	3/8-16UNC	.83	.67	2.755	.118	4.53	.869 .866	1.45	26.80	F10/F12		
RCIO 260-SR	1/2-13UNC	3/8-16UNC	.83	.67	3.346	.118	---	1.066 1.063	1.46	40.00	F10/F12		
RCIO 270-SR	5/8-11UNC	---	.98	---	3.93	.157	7.09	1.420 1.417	2.52	69.00	F14		
RCIO 280-SR	3/4-10UNC	1/2-13UNC	1.26	1.00	5.12	.196	---	1.814 1.811	2.52	142.00	F12/F16		

OPTIONAL MI MANUAL OVERRIDE DIMENSIONAL DATA



DIMENSIONS (Inches)

MODEL	A	B	C	D	E	F	WT/LBS
RCI 210 DA/MI*	11.4	5.7	7.1	1.77			1.5
RCI 220 DA/MI	11.4	5.7	7.1		3.85		1.5
RCI 220 SR/MI	11.4	5.7	7.1			5.70	1.5
RCI 230 DA/MI*	13.4	7.5	7.1	2.56			2.5
RCI 240 DA/MI	13.4	7.5	7.1		5.30		2.5
RCI 240 SR/MI	13.4	7.5	7.1			7.70	2.5
RCIO 250 DA/MI*	19.7	11.6	12.6	3.54			6.5
RCIO 260 DA/MI	19.7	11.6	12.6		7.48		6.5
RCIO 260 SR/MI	19.7	11.6	12.6			11.20	6.5
RCIO 270 DA/MI*	31.5	20.3	15.7	5.70			26
RCIO 280 DA/MI	31.5	20.3	23.6		11.80		26
RCIO 280 SR/MI	31.5	30.3	23.6			20.0	26

* NOTE: For models 210, 230, 250, & 270, M-1 dimension for SR actuators are the same as DA actuators.

RIM PULL FORCES (LB.)

To obtain an output torque equal to an air pressure of 80 PSI on the actuator

DOUBLE ACTING

RCI 210-DA	14.3
RCI 220-DA	28.6
RCI 230-DA	26.5
RCI 240-DA	53.0
RCIO 250-DA	14.9
RCIO 260-DA	30.0
RCIO 270-DA	47.5
RCIO 280-DA	55.4

SPRING RETURN

RCI 210-SR	14.3
RCI 220-SR	32.3
RCI 230-SR	26.5
RCI 240-SR	60.0
RCIO 250-SR	14.9
RCIO 260-SR	33.6
RCIO 270-SR	47.5
RCIO 280-SR	62.5

RCI 200 Series

TORQUE CHARTS

SPRING RETURN RCI-SR SERIES

Air Stroke Counterclockwise to Open – Spring Stroke Clockwise to Close

40 PSIG AIR SUPPLY

Model #	AIR STROKE			SPRING STROKE		
	0°	60°	90°	90°	30°	0°
RCI 210-SR	40 PSI N/A			40 PSI N/A		
RCI 220-SR	168	71	88	124	62	97
RCI 230-SR	318	124	150	248	115	177
RCI 240-SR	637	257	319	513	239	363
RCIO 250-SR	1062	380	487	761	363	549
RCIO 260-SR	2124	805	1018	1549	761	1150
RCIO 265-SR	2938	1142	1545	2490	1224	1691
RCIO 270-SR	4248	1681	2035	3186	1549	2301
RCIO 280-SR	8496	3363	4248	6549	3186	4779

60 PSIG AIR SUPPLY

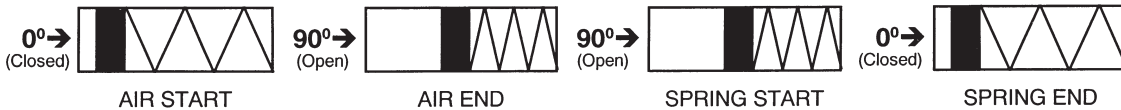
Model #	AIR STROKE			SPRING STROKE		
	0°	60°	90°	90°	30°	0°
RCI 210-SR	133	44	62	97	44	71
RCI 220-SR	265	106	133	195	97	150
RCI 230-SR	495	186	239	380	186	274
RCI 240-SR	982	389	495	788	363	558
RCIO 250-SR	1637	593	752	1195	558	850
RCIO 260-SR	3274	1239	1593	2389	1195	1770
RCIO 265-SR	4298	1672	2263	3798	1878	2619
RCIO 270-SR	6649	2566	3097	4956	2354	3628
RCIO 280-SR	13098	5221	6549	10178	4956	7434

80 PSIG AIR SUPPLY

Model #	AIR STROKE			SPRING STROKE		
	0°	60°	90°	90°	30°	0°
RCI 210-SR	175	62	88	135	62	95
RCI 220-SR	350	140	175	265	130	200
RCI 230-SR	665	255	320	515	250	370
RCI 240-SR	1330	530	665	1060	495	750
RCIO 250-SR	2210	795	1020	1590	750	1150
RCIO 260-SR	4420	1680	2120	3270	1590	2390
RCIO 265-SR	5734	2231	3020	5062	2502	3489
RCIO 270-SR	8850	3450	4250	6720	3190	4870
RCIO 280-SR	17700	7030	8850	13720	6640	10000

100 PSIG AIR SUPPLY

Model #	AIR STROKE			SPRING STROKE		
	0°	60°	90°	90°	30°	0°
RCI 210-SR	220	80	110	170	80	125
RCI 220-SR	440	175	220	335	170	265
RCI 230-SR	830	310	400	635	309	460
RCI 240-SR	1665	665	840	1330	620	930
RCIO 250-SR	2745	975	1240	1990	930	1415
RCIO 260-SR	5530	2125	2655	4070	1990	3010
RCIO 265-SR	7149	2782	3767	6337	3135	4375
RCIO 270-SR	11154	4290	5310	8410	3980	6105
RCIO 280-SR	22125	885	11060	17170	8320	12480



DOUBLE ACTING RCI-DA SERIES Clockwise to Close

40 PSIG AIR SUPPLY

Model #	0°	50°	90°
RCI 210-DA	150	70	105
RCI 220-DA	310	140	220
RCI 230-DA	575	275	425
RCI 240-DA	1170	560	865
RCIO 250-DA	1815	860	1325
RCIO 260-DA	3715	1770	2745
RCIO 265-DA	5257	2474	3735
RCIO 270-DA	7520	3630	5575
RCIO 280-DA	15490	7300	11500

60 PSIG AIR SUPPLY

Model #	0°	50°	90°
RCI 210-DA	220	105	170
RCI 220-DA	470	220	335
RCI 230-DA	865	405	635
RCI 240-DA	1750	840	1310
RCIO 250-DA	2725	1285	1990
RCIO 260-DA	5575	2655	4115
RCIO 265-DA	7886	3710	5602
RCIO 270-DA	11280	5440	8360
RCIO 280-DA	23230	10975	17260

80 PSIG AIR SUPPLY

Model #	0°	50°	90°
RCI 210-DA	300	140	220
RCI 220-DA	620	290	450
RCI 230-DA	1150	550	850
RCI 240-DA	2340	1120	1740
RCIO 250-DA	3630	1720	2650
RCIO 260-DA	7430	3540	5490
RCIO 265-DA	10514	4947	7469
RCIO 270-DA	15040	7260	11150
RCIO 280-DA	30970	14600	23010

100 PSIG AIR SUPPLY

Model #	0°	50°	90°
RCI 210-DA	370	175	265
RCI 220-DA	780	354	565
RCI 230-DA	1430	690	1060
RCI 240-DA	2920	1415	2170
RCIO 250-DA	4510	2170	3320
RCIO 260-DA	9290	4425	6860
RCIO 265-DA	13142	6184	9336
RCIO 270-DA	18805	9070	13940
RCIO 280-DA	38720	18230	28760

